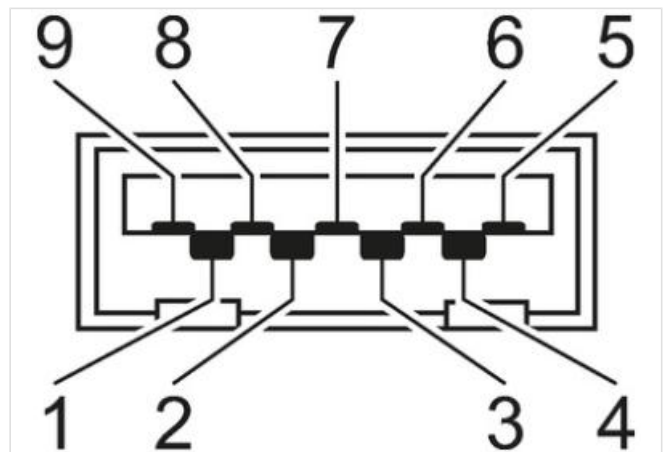
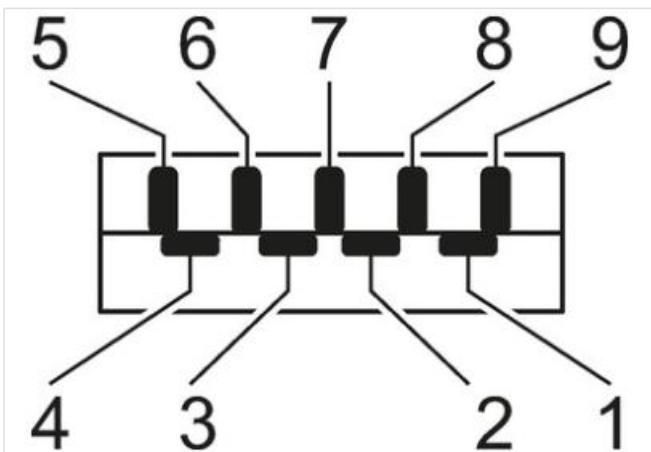
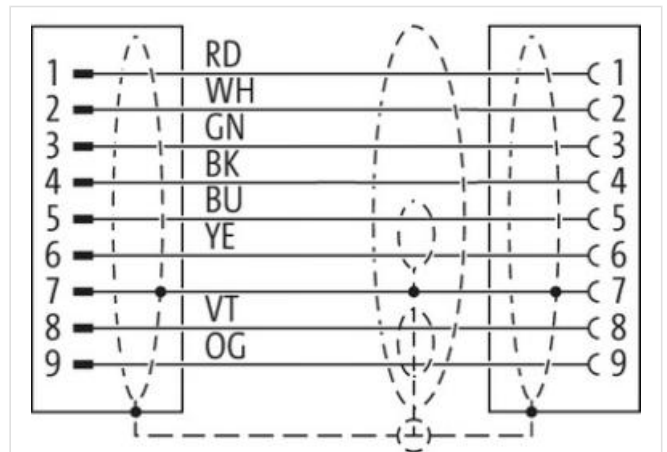
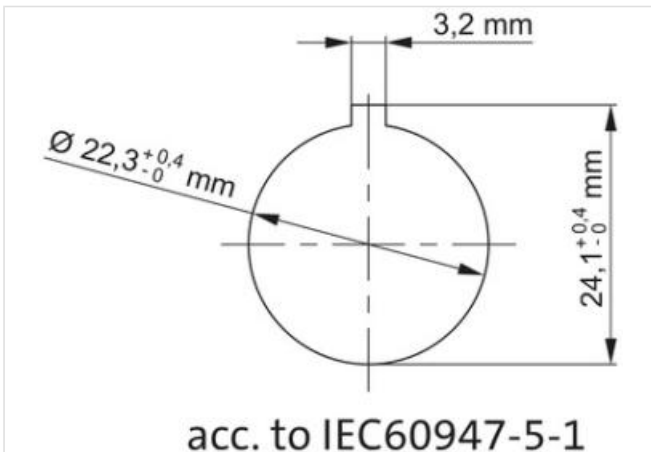
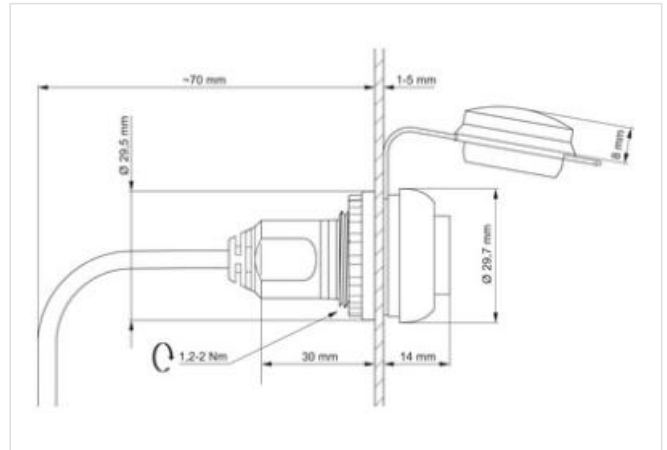


MSDD pass-through USB 3.0 form A, 5.0 m cable, design silver

[Link to Product](#)

Illustration



Product may differ from Image



Technical Data

Operating voltage	5 V AC/DC
Operating current	max. 900 mA
Protection NEMA	Type 2, 3R, 4, 4x, 12, 13 (UL 50E)
Specification	USB: 3.0 (max. 5 Gbit/s)
Mounting depth mounted	approx. 70 mm

General data

Shielded	yes
Cut-out	Ø 22.5 mm

Mechanical protection

Mechanical endurance	1500
Product article number of manufacturer	4000-73000-0240000

Industrial Communication

Data transmission rate max.	1000 MBit/s
-----------------------------	-------------

Mechanical data

Depth	30 mm
-------	-------