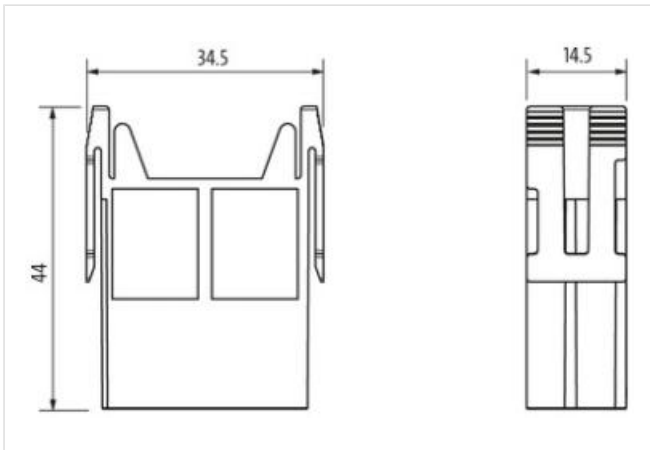
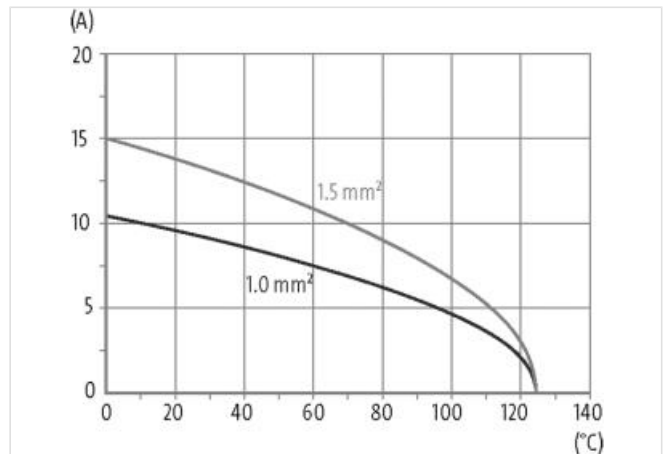


Male module, 12-pole, crimp t.

250 V (Pin-PE) / 400 V (Pin-Pin), 10 A

Male
12-pole
Crimp

Technical data will be only guaranteed with Murrelektronik components.

[Link to Product](#)**Illustration**

Product may differ from Image

Technical Data

Operating voltage	400 V AC/DC (PIN - PIN); 250 V AC/DC (PIN - PE)
Rated surge voltage	4.0 kV
Operating current	10 A
No. of poles	12
Material group	II
Mating cycles	min. 500
Connection	Crimp
Connection cross section	0.14...2.5 mm ² (AWG 26...13)
Holding force (contacts)	≥ 70 N
Insertion and withdrawal force	< 60 N

Isolation resistance	$\geq 10^8 \Omega$
Contact resistance	$\leq 5 \text{ m}\Omega$
Over voltage category	III
Wire- \emptyset incl. isolation	max. 3.7 mm
Holding force (modules)	$\geq 150 \text{ N}$

General data

Material (contact)	Brass
Material (contact surface)	Ag Au
Pollution Degree	3
Temperature range	-40...+125 °C
No. of module positions	1
Flammability class	V-0 (acc. to UL 94)
Type	Male
Climatic category	40/125/10
Material (module)	PA GF
Dimensions H×W×D	44×14.5×34.4 mm

Cables

Current load capacity	see derating curve
Article No.	70MH-MAB1C-0120801